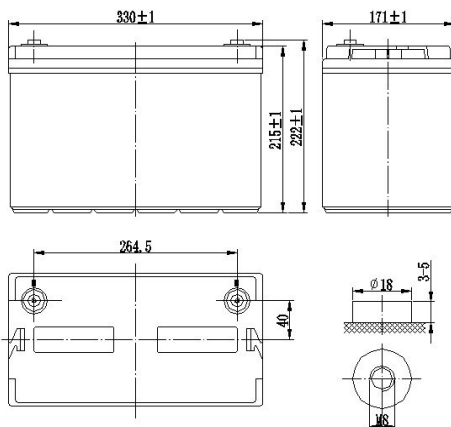




BPG12-100(DC)

(12V110Ah/20HR)



Features

BULLSPower Gel Series Deep Cycle GEL Batteries are specifically designed with revolutionary heavy duty plate GEL technology with high percentage tin alloyed. Batteries are ideal for applications that require sealed batteries with heavy duty cyclic capability or for backup power & storage. They are recommended for motive power or storage power applications. On the other hand, the battery is completely sealed, maintenance-free, Safety and usable in any position.

Application

- Medical Equipment
- Cable Television
- Power tools
- Emergency Power System
- Solar Wind Power System
- UPS
- Communication Equipment
- Control Equipment

General Features

- Superior Deep Cycle Design with high percentage tin.
- High Power Density.
- Active paste material, and a slightly stronger acid.
- Thick Plates and High-density.
- Plate/grid structure longer, resisting the normal degradation.
- Typically discharge 60 to 70% or more of the battery capacity.
- Low self discharge characteristic.
- Flexibility design for multiple install positions.

CONSTRUCTION

Component	Positive plate	Negative plate	Container	Cover	Safety valve	Terminal	Separator	Electrolyte
Raw material	Lead dioxide	Lead	ABS	ABS	Rubber	Copper	Fiberglass	Gelled acid

TECHNOLOGY PARAMETER

Battery model	BPG12-100 (12V110AH /20HR)			
Designed Floating Life	10-15 Years			
Capacity (25°C)	20hR(5.5A, 10.8V)	10hR(10A, 10.8V)		1hR(65.89A, 9.60V)
	110Ah	100Ah		65.89Ah
Dimensions	Length	Width	Height	Total Height
	330±1mm	171±1mm	215±1mm	222±1mm
Approx. weight (±5%)	33.5 Kgs			
Internal resistance	Full charged at 25°C: Approx. 5.5 mOhms			
Self discharge	3% (3AH) of capacity declined per month at 25°C (average)			
Capacity Affected by Temp.(10HR)	40 °C	25 °C	0 °C	-15 °C
	102%	100%	85%	65%
Charge Voltage (25°C)	Cycle use		Float use	
	14.4-14.7V(-30mV/°C), max. Current: 20A		13.6-13.8V(-20mV/°C)	



BPG12-100 (12V110Ah/20HR)

Constant current discharge ratings-amperes at 25°C

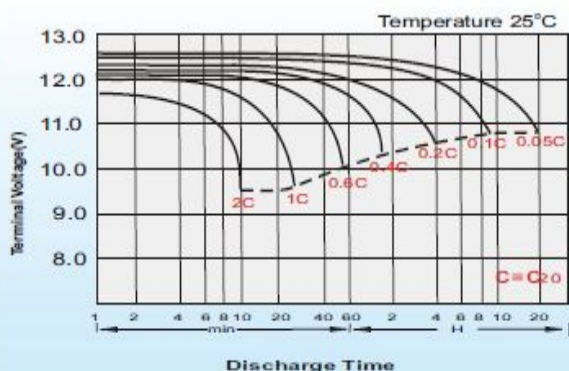
End Point	15min	30min	45min	1h	3h	5h	8h	10h	20h
Volts/Cell									
1.60V	167.20	104.06	74.58	65.89	29.37	18.92	11.55	10.30	5.71
1.65V	160.16	101.20	72.60	64.13	28.82	18.59	11.44	10.20	5.65
1.70V	153.23	98.45	70.62	62.37	28.27	18.37	11.33	10.10	5.60
1.75V	146.30	95.70	68.64	60.61	27.61	18.04	11.22	10.00	5.54
1.80V	139.26	92.84	66.66	58.85	26.95	17.82	11.11	9.90	5.50

Constant power discharge ratings-watts at 25°C

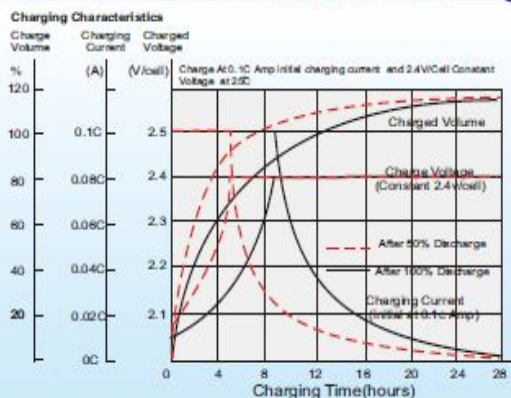
End Point	15min	30min	45min	1h	3h	5h	8h	10h	20h
Volts/Cell									
1.60V	311.74	193.93	139.15	122.87	54.78	35.2	21.56	19.25	10.67
1.65V	298.76	188.76	135.41	119.57	53.79	34.76	21.34	19.03	10.56
1.70V	285.78	183.59	131.67	116.27	52.69	34.21	21.12	18.81	10.45
1.75V	272.8	178.42	128.04	112.97	51.48	33.77	20.9	18.7	10.34
1.80V	259.82	173.14	124.3	109.67	50.27	33.22	20.68	18.48	10.23

Performance Characteristics

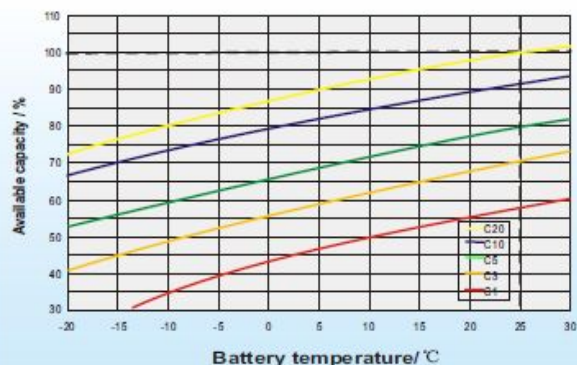
Discharge Characteristics



Charging Characteristics (cycle use)



Temperature Effects in Relation to Battery Capacity



Cycle Life in Relation to Depth of Discharge

